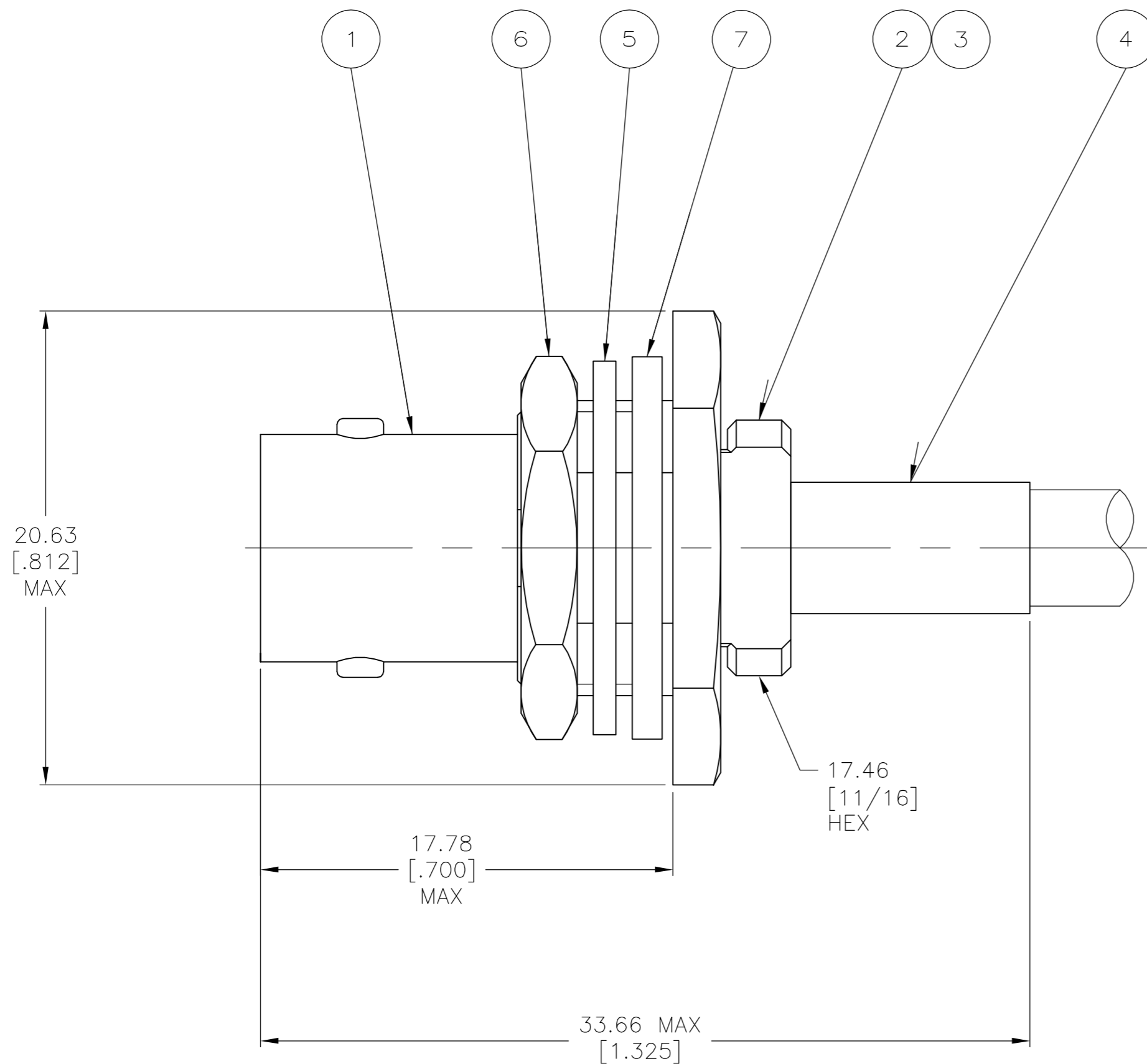
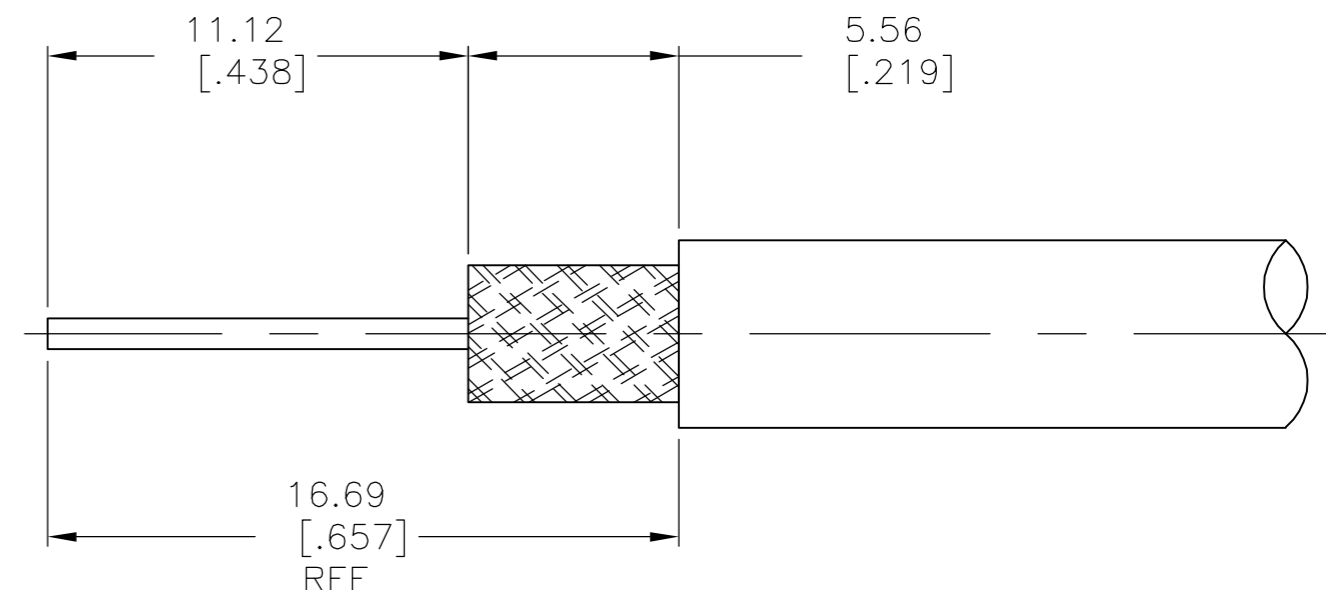


THIS DRAWING IS UNPUBLISHED. RELEASED FOR PUBLICATION  
 © COPYRIGHT BY TYCO ELECTRONICS CORPORATION. ALL RIGHTS RESERVED.

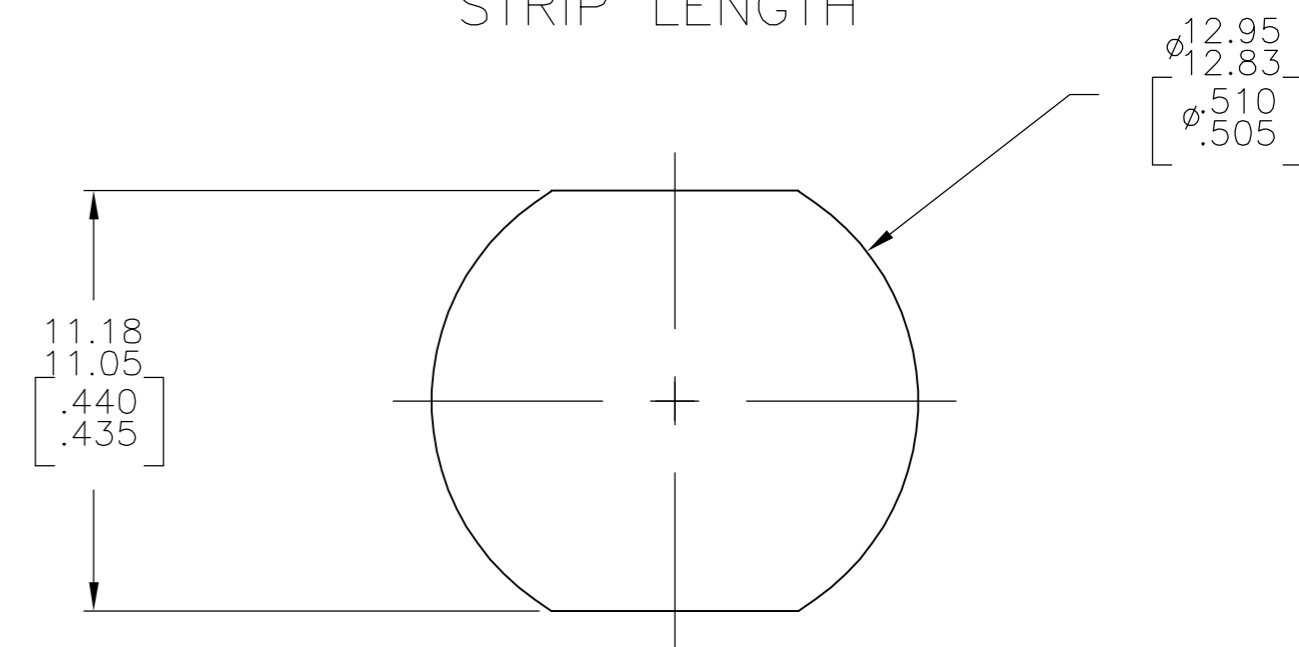
LOC	DIST	REVISIONS			
P	LTR	DESCRIPTION	DATE	DWN	APVD
AJ	16	A	REV PER ECO 06-002539	06APR06	GB JH



- FOR USE WITH RG 161/U, 179/U, & 187/U CABLE.
- CRIMP WITH PRO-CRIMPER 354940-1 AND DIE SET 91910-1.
- SEE INSTRUCTION SHEET 408-1799-3.
- PARTS PACKAGED UNASSEMBLED.
- ALLOWABLE PANEL THICKNESS: 0.78-3.18 [.031-.125].



RECOMMENDED CABLE STRIP LENGTH



RECOMMENDED PANEL CUTOUT

329633	9-329631-0	9-329632-0	9-328666-3	9-50793-1	2-329106-1	9-329803-0	2-5329092-1
⑦ GASKET QTY: 1	⑥ JAM NUT QTY: 1	⑤ LOCKWASHER QTY: 1	④ FERRULE QTY: 1	③ CRIMP END ASSY QTY: 1	② GASKET QTY: 1	① JACK ASSEMBLY QTY: 1	PART NUMBER

THIS DRAWING IS A CONTROLLED DOCUMENT.

DWN	J. HAVENER	14SEP2005
CHK	J. HAVENER	14SEP2005
APVD	J. LIPPERT	14SEP2005
PRODUCT SPEC	-	
APPLICATION SPEC	-	
WEIGHT	-	
CUSTOMER DRAWING	-	

**tyco** Electronics  
 Tyco Electronics Corporation  
 Harrisburg, PA 17105-3608

NAME: CONNECTOR, COAXIAL, RF, JACK, BULKHEAD, CABLE MOUNT, SERIES BNC

SIZE	A2	CAGE CODE	00779	DRAWING NO	C=5329092	RESTRICTED TO	-
SCALE	1:1	SHEET	1 of 1	REV	A		